

# Type 3210 & 3220

Product Information  
Model 3210 & 3220  
Electronic Controller



## Features

- Internal sensor provides closed loop accuracy to  $\pm 0.5\%$  F.S.
- Reliable twin solenoid valve system
- Conserves air - no constant bleed
- Current/voltage command signals
- Not sensitive to mounting orientation
- Weatherproof housing
- Mounts conveniently on top of booster relay for higher flows
- CE approved

## Applications

- Semiconductor
- Machine Automation
- Molding & Forming Operations
- Robotics Controller
- Tire Manufacturing & Testing

## Operational Description

- This compact electronic regulator (servo pressure controller), incorporates two solenoid valves and an internal pressure sensor.
- With current or voltage signal inputs, the Model 3210 controls an output pressure with an accuracy of  $\pm .5\%$  or better full scale.
- Wide range of output pressures, from 29" Hg vacuum to 600 psig (in different models.)
- Mounted on a booster, it can achieve flow rates in excess of 2,000 SCFM.
- With a flow of 1.25 SCFM at 100 psi, the 3210 can be used alone for many applications.
- Optional output monitor signals are available.
- The double loop (3220) option permits 0-10 VDC feedback from a remote sensor.

*ElectroPneumatics*

**MB MARSH BELLOFRAM®**

# SPECIFICATIONS

## PNEUMATICS

Output Pressure Ranges	Vacuum to 600 psig (41 BAR)
Flow	1.25 scfm (35.3 slpm)
Supply Pressure	110% of max output pressure
Filtration	40 micron (built in)
Linearity (independent)	± .2% FS
Repeatability	± .2% FS
Accuracy	± .5% FS
Hysteresis	± .5% FS

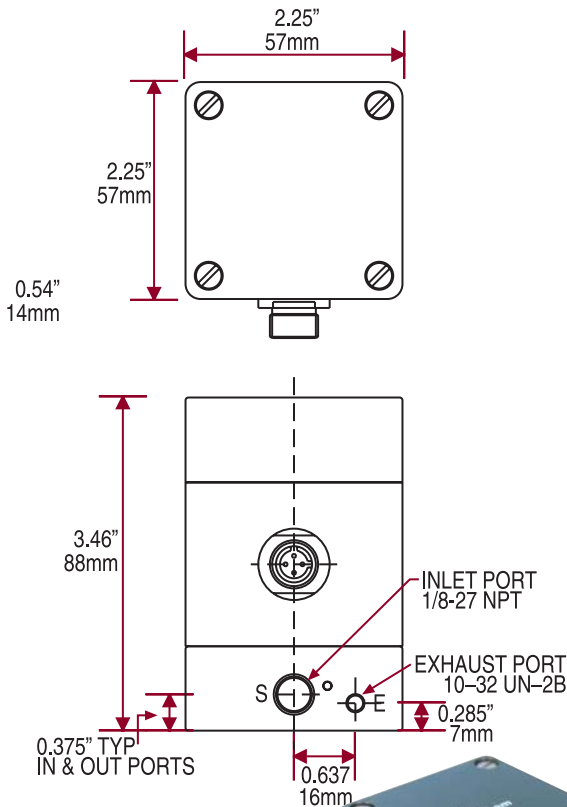
## ELECTRICAL

Supply Voltage	15-24 VDC
Supply Current	80 mA standby - 325 mA max
Command Signal	
Voltage	0-10 VDC
Current	4-20 mA
Analog Monitor Output	
Voltage	0-10 VDC
Logic Monitor Output	
CMOS (M)	0 VDC low, 12 VDC high
TTL (T)	0 VDC low, 5 VDC high
Open Collector (O)	0 VDC low, (pull up) high

## ENVIRONMENTAL

Operating Temp	32 to 141°F (0 to 60°C)
Materials	
Wetted Parts	Brass, nickel, buna-N, 316 SS
Output Port Sizes	1/8" NPT, BSPP, or BSPT (side) 1/4" NPT, bottom port only
Exhaust Port	No. 10-32 UNC Thread
Weight	1.2 lbs. (0.55 kg)

## Product Information Model 3210 & 3220 Electronic Controller



## HOW TO CREATE A 3210 & 3220 PART#

BASE MODEL NUMBER	MONITOR SIGNAL	COMMAND SIGNAL	OUTPUT PRESSURE RANGE			MOUNTING	PORT SIZE	CONNECTOR	OPTIONS
2	0					P		1	
<p>1 Single loop</p> <p>2 Double loop</p>	<p>M 0-10 V Analog &amp; CMOS Logic Output</p> <p>T 0-10V Analog TTL Logic Outputs</p> <p>O 0-10 V Analog &amp; Open-Collector Logic Outputs</p>	<p>E 0-10 VDC</p> <p>I 4-20 mA</p>	<p>Please indicate the lower limit of output pressure range down to</p> <p>0 psi absolute</p> <p>∞</p>	<p>G Gauge (psig)</p> <p>A Absolute (psia)</p> <p>V Vacuum ("Hg)</p> <p>W Water Column ("H<sub>2</sub>O)</p>	<p>Please indicate the upper range of pressure up to</p> <p>600 psig</p>	<p>P Pipe</p>	<p>Input &amp; Output Ports</p> <p>0 1/8" NPT</p> <p>1 1/8" BSPT</p> <p>2 1/8" BSPP</p>	<p>1 6 Pin Micro</p> <p><b>POWER CORDS must be ordered separately</b></p>	<p>00 No Options</p> <p>Consult Factory For Options</p>

∞ If lower limit of output pressure range is more than 1 digit, consult factory.

ORDERING EXAMPLE: 210M1G027P0100 - This is a Type 3210 single loop unit with 0-10 VDC command signal, 0-10 V monitor output with CMOS logic output, calibrated 1 to 27 psig with 1/8" NPT ports and no options. (Pipe mount and 6 pin connector are standard.)